

AE2 EV Fuse



FEATURES:

- 500 Vdc automotive fuse
- Rated Current: 10-50 A
- Max. BC: 20 kA@500 Vdc
- Min. BC: 2In@500 Vdc
- Time Constant: 2 ± 0.5 ms
- Dimensions: 10x38 mm
- General purpose fuse for EV/HEV auxiliary protection
- Recommended fuse holder: BH114

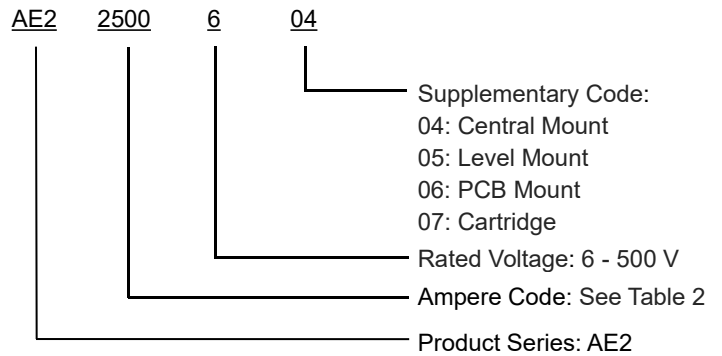
DESCRIPTION

Adler AE2 series EV fuses are specially engineered and tested to provide best-in-class protection performance in protecting high power battery charging and managing systems of Electrical Vehicles and Hybrid Electrical Vehicles, up to 500 Vdc In ratings from 10A to 50A.

AGENCY INFORMATION:

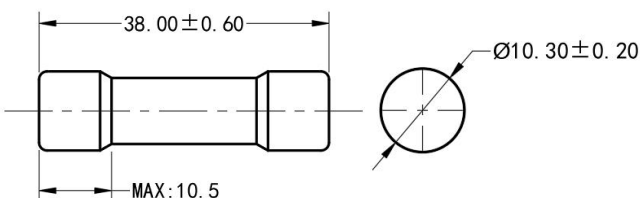
- Ref. To UL 248-20, ISO 8820-8, GB/T 31465.6
- Approval: TÜV and UL
- Manufactured under IATF 16949 quality system
- RoHS and REACH Compliant

PART NUMBERING SYSTEM

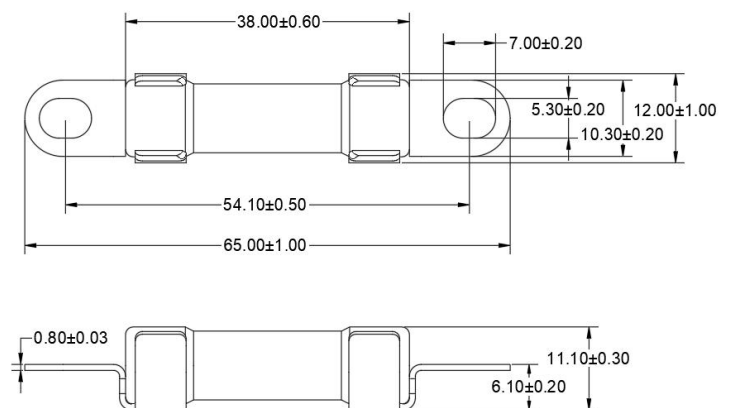


DIMENSIONS (mm)

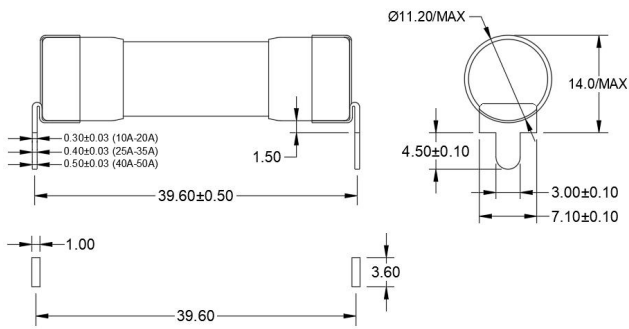
AE2xxxx607



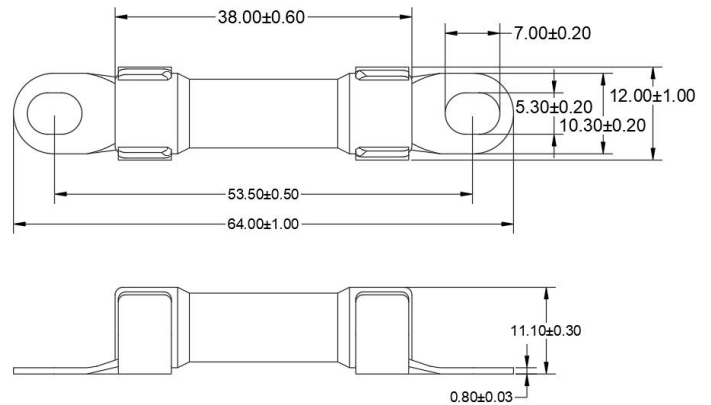
AE2xxxx604



AE2xxxx606



AE2xxxx605



Packing information

Fuse Size	Box specifications (mm)	Packing quantity / per container	Weight / PCS (g)	Mounting Method	mounting requirements
AE22100607	410×215×160	1200pcs	7.6±3%	-	-
AE22100604	410×215×160	720pcs	11.5±3%	M5	4.5±1
AE22100605	410×215×160	720pcs	11.5±3%	-	-
AE22100606	410×215×160	1200pcs	8.6±3%	M5	4.5±1

Table1

ELECTRICAL SPECIFICATIONS

Part Number / Configurations				Rated Current	Ampere Code	Rated Voltage	Breaking Capacity	I ² t (A ² s)		Dissipation (1.0In W)	Certifications	
Cartridge	Central Mount	Level Mount	PCB Mount					Pre-Arcing	Total		TÜV	UL
AE22100607	AE22100604	AE22100605	AE22100606	10 A	2100	500 Vdc	20 kA@500 Vdc	160	255	3	○	●
AE22150607	AE22150604	AE22150605	AE22150606	15 A	2150			370	620	2.5	●	●
AE22200607	AE22200604	AE22200605	AE22200606	20 A	2200			820	1360	3.5	●	●
AE22250607	AE22250604	AE22250605	AE22250606	25 A	2250			1060	1505	3.5	●	●
AE22300607	AE22300604	AE22300605	AE22300606	30 A	2300			1270	2190	4.7	●	●
AE22350607	AE22350604	AE22350605	AE22350606	35 A	2350			1745	2936	4.8	●	●
AE22400607	AE22400604	AE22400605	AE22400606	40 A	2400			1980	3688	5.5	●	●
AE22450607	AE22450604	AE22450605	AE22450606	45 A	2450			2200	5219	5.8	●	●
AE22500607	AE22500604	AE22500605	AE22500606	50 A	2500			3010	6750	6.8	●	●

TIME VS CURRENT CHARACTERISTIC

Rated Current	110%	135%	150%	200%	300%	500%
10-50 A	>4 h	150 s - 1h	10-1000 s	0.5-100 s	0.1-15 s	0.05-1 s

OPERATING CONDITIONS

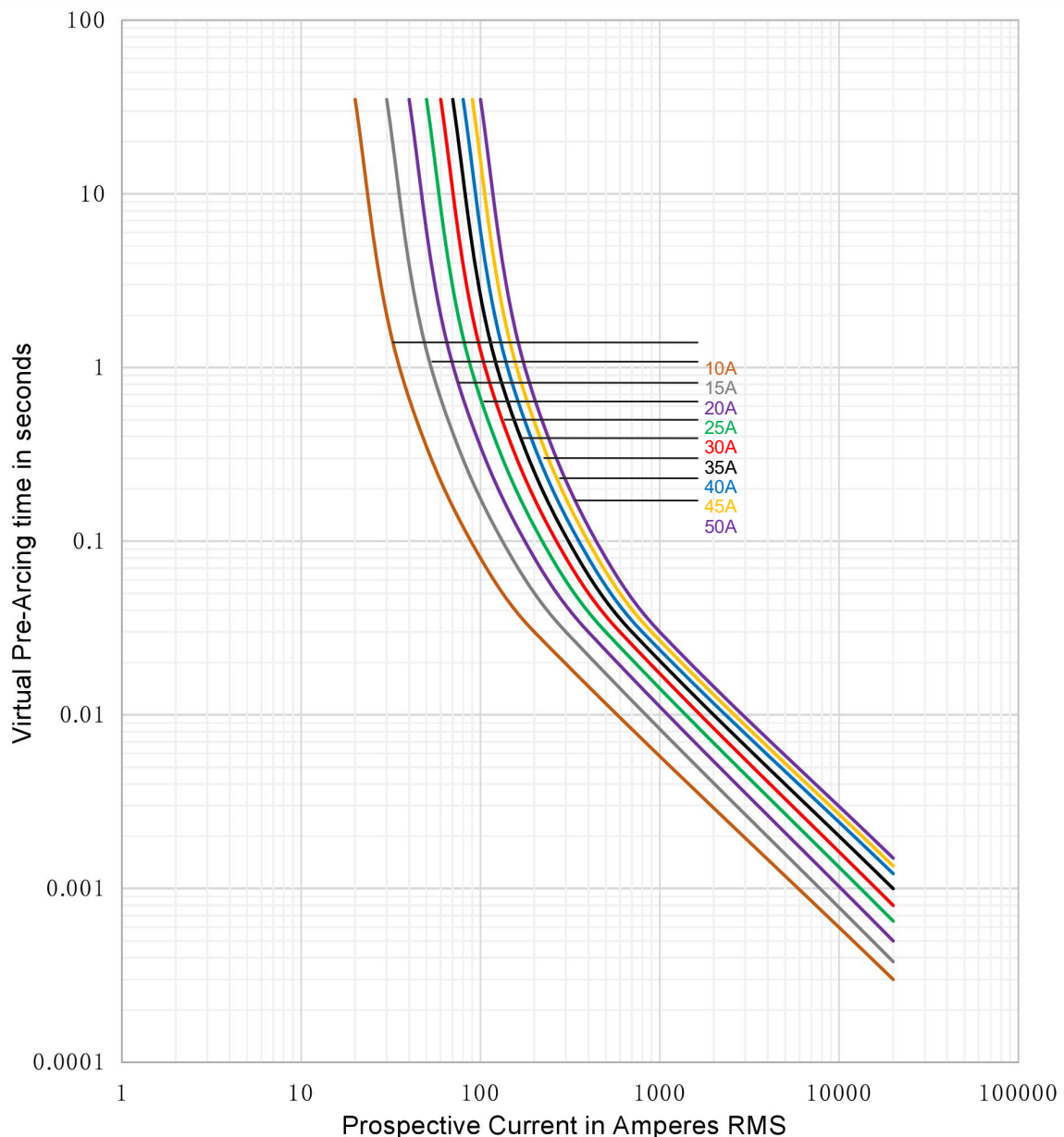
Where the following conditions apply, fuses complying with this standard are deemed capable of operating satisfactorily without further qualification.

- Normal temperature: -5°C-40°C , permissible operating temperature: -40°C-120°C.
- The altitude of the normal site of installation of the fuses does not exceed 2000m and permissible altitude site of installation does not exceed 5000m.
- The air is clean and its relative humidity does not exceed 50 % at the maximum temperature of 40°C.
- Higher relative humidity is permitted at lower temperatures, e.g. 90 % at 20°C.
- Pollution grade III.
- Under these conditions, moderate condensation may occasionally occur due to variation in temperature.
- For operating conditions other than above, please contact manufacturer.

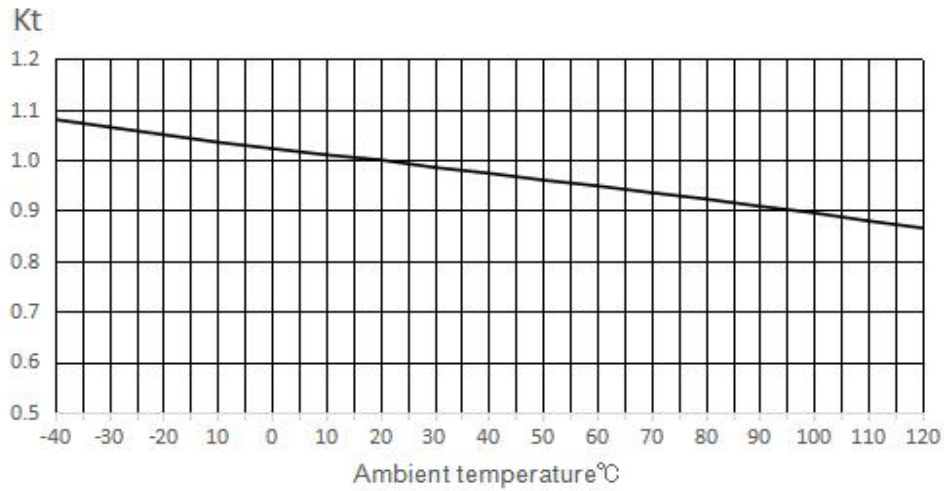
STORAGE

During transportation and storage, avoid water seepage and mechanical damage.

TIME CURRENT CURVE



Temperature derating curve



WEB RESOURCES

Download the latest technical documents: www.adlerelectric.com. Specifications are subject to change without notice.