

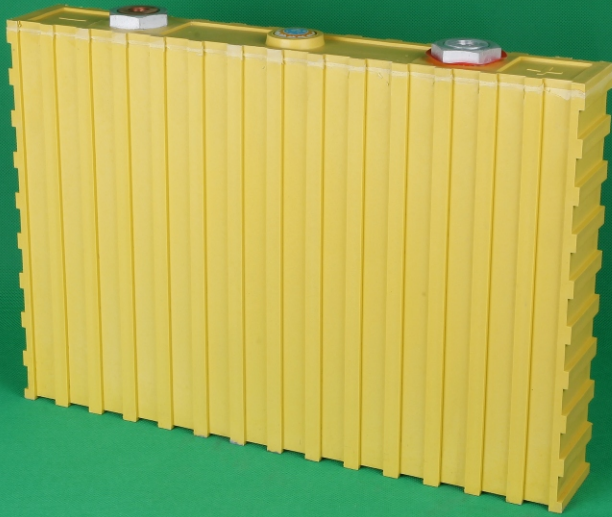


Thunder Sky Winston

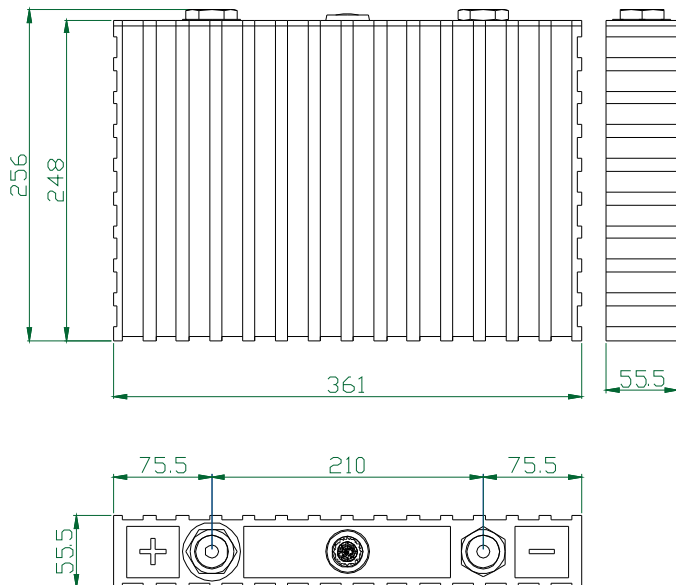
Address: Winston Industrial Park, Third Industrial Zone, Lisonglang Village,
Gongming Town, Shenzhen, Guangdong, P.R.C
Tel: +86-755-8602 6789 Fax: +86-755-8602 6678
Http: //www.thundersky-winston.com
tw@winston-battery.com (貿易服務); tw@thunder-sky.com (技術服務)

雷天温斯頓稀土鋰動力電池性能說明 THUNDER SKY WINSTON RARE EARTH LITHIUM ION BATTERY SPECIFICATION

單體電池尺寸 DIMENSIONS



型號(MODEL): WB-LYP200AHA



技術參數 SPECIFICATIONS

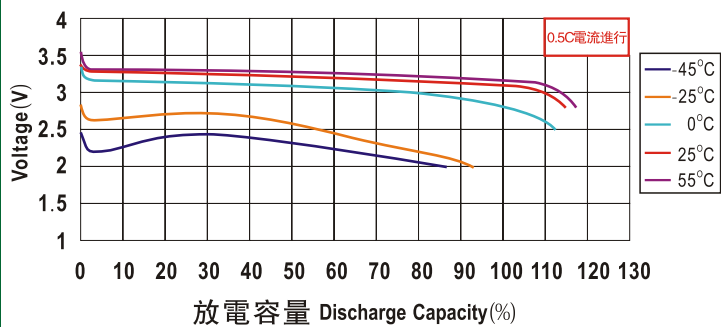
型號(MODEL)	WB-LYP200AHA	
標稱容量 Nominal Capacity	200AH	
規格 SPEC	長 L	361mm
	寬 W	55.2mm
	高 H	256mm
工作電壓 Operation Voltage	充電 Charge	4.0(V)
	放電 Discharge	2.8(V)
內阻 Internal resistance	≤0.35(mΩ)	
最大放電電流 Max Discharge Current	恒電流 Constant Current	≤3CA
	脈衝試 Impulse Current	≤10CA
最大充電電流 Max Charge Current	600A(3CA)	
標準充放電電流 Standard Charge/ Discharge Current	100A(0.5CA)	
循環壽命 Cycle Life	(80%DOD)	≥5000Times
	(70%DOD)	≥7000Times
殼體耐溫性 Temperature Durability Of Case	≤200°C	
適應環境 Operationg Temperature	充電 Charge	-45°C ~ 85°C
	放電 Discharge	
	存儲濕度 Storage Humidity	≤75%RH
自放電率(月) Self-discharge Rate	≤1% (月/Monthly)	
單體電池重量 Weight	7.9kg ± 200g	

WB-LYP200AHA型電池的充放電特性

WB-LYP200AHA CHARGE & DISCHARGE CHART

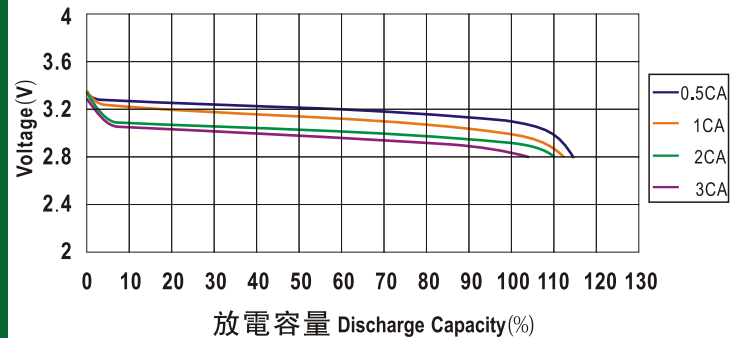
不同環境溫度下LYP類電池的放電特性曲線

Discharge characteristic curve of LYP type battery under different ambient temperature



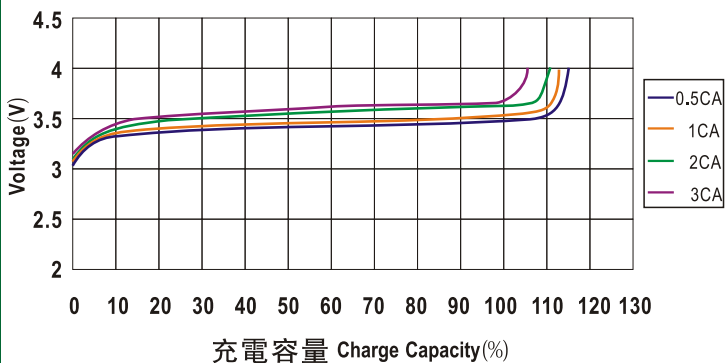
常溫下LYP類電池的放電特性曲線

Discharge characteristic curve of LYP type battery under normal temperature



常溫下LYP類電池的充電特性曲線

Charge characteristic curve of LYP type battery under normal temperature



在常溫下LYP類電池的存儲特性曲線

Storage characteristic curve of LYP type battery under normal temperature

